

HP UPS T1000/1500



© Copyright 2006 Hewlett-Packard Development Company, L.P.

HP

2006 4

404317-191

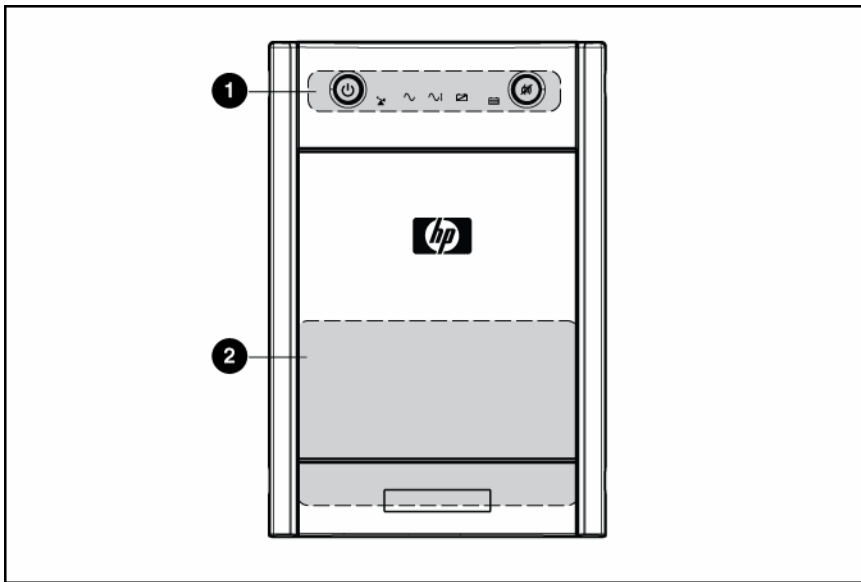
UPS

		5
UPS		5
UPS	LED	6
UPS T1000		7
UPS T1500		8
		9
		9
		9
		10
		10
UPS		11
		12
		12
	USB	13
		13
UPS		14
UPS		14
UPS		14
UPS		15
UPS		16
		16
		16
		16
UPS		16
		18
HP Power Manager		18
		19
UPS		19
		19
		19
		19
	UPS	20
		23
		25
UPS		25
		25
UPS		25
		26
UPS		26
UPS		26
	LED	26
	LED	26
	LED	27
	LED	27
	LED	27

LED	27
.....	28
T1000	28
T1500	28
UPS	28
T1000	29
T1500	29
T1000	29
T1500	29
.....	29
.....	30
.....	30
.....	30
.....	30
.....	30
.....	31
UPS T1000	31
UPS T1500	31
.....	31
.....	32
.....	32
.....	33
.....	33
.....	33
.....	33
Federal Communications Commission notice	33
Declaration of conformity for products marked with the FCC logo, United States only	34
Modifications	34
Cables	35
Canadian notice (Avis Canadien)	35
European Union regulatory notice	35
Disposal of waste equipment by users in private households in the European Union	35
BSMI notice	36
Korean notice	36
.....	36
.....	37
.....	37
.....	37
.....	38
.....	39

UPS	5
UPS	LED	6
UPS T1000	7
UPS T1500	8

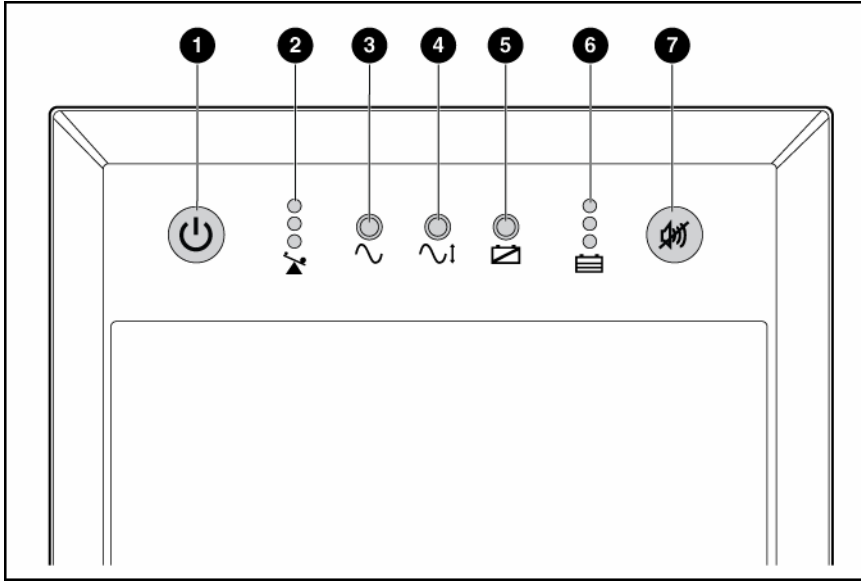
UPS



1	LED
2	

UPS

LED



1	Power On/Standby	UPS	UPS ¹
2	LED	- - -	UPS
3	LED	- UPS -	AC UPS
4	LED	- UPS	UPS AC
5	LED	-	UPS 16

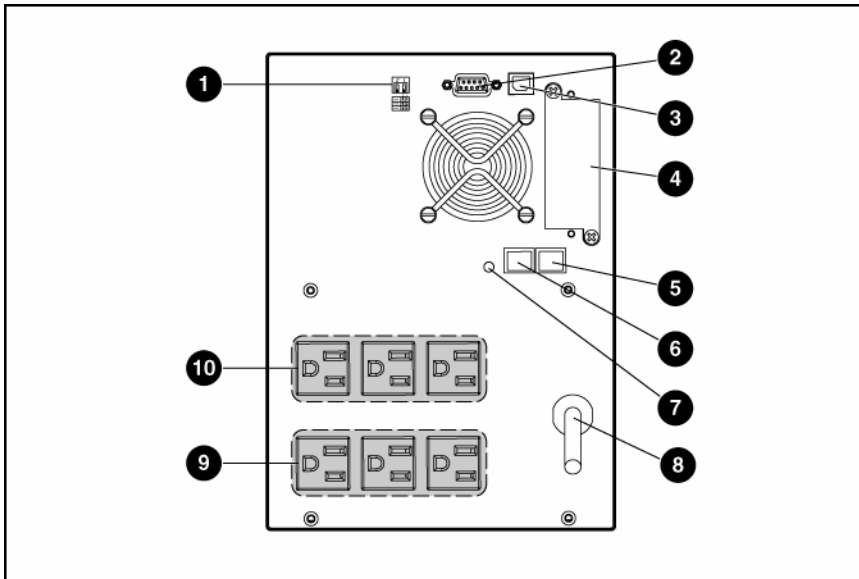
6	LED	UPS	LED	LED
		-		
		-		
		-		
		UPS	LED	LED
		-		
		-		
		-		
			16	
7	/	UPS		16



UPS

UPS

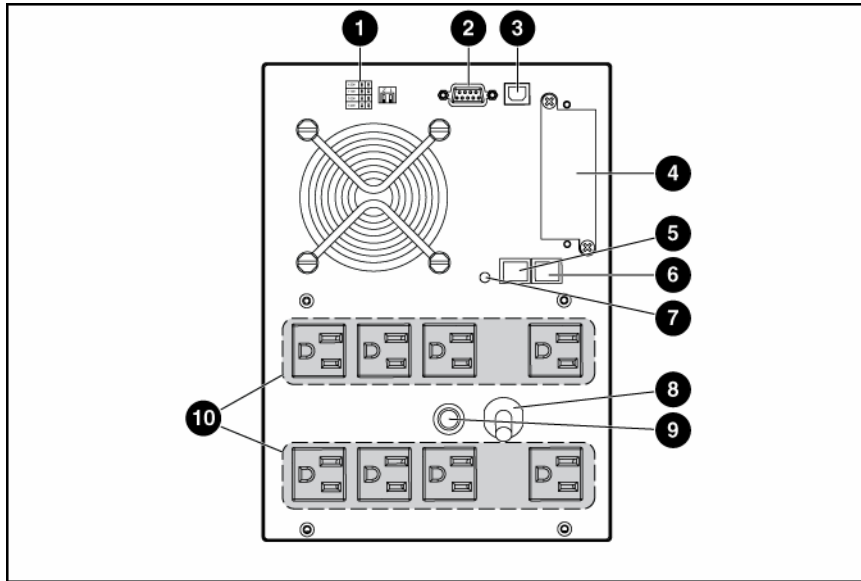
UPS T1000



1	DIP
2	USB
3	
4	
5	IN
6	OUT

7	LED	
8	NEMA 5-15	
9	6	NEMA 5-15

UPS T1500



1	DIP	
2		
3	USB	
4		
5	IN	
6	OUT	
7	LED	
8	NEMA 5-15	
9		
10	8	NEMA 5-15



	9
	9
	10
	10
UPS	11
	12
	13
UPS	14
UPS	14
UPS	14
UPS	15

UPS



AC



-
- **UPS**

UPS



UPS

UPS 20.3kg



UPS

UPS 15.9kg



UPS



HP



-
-
-
-
-

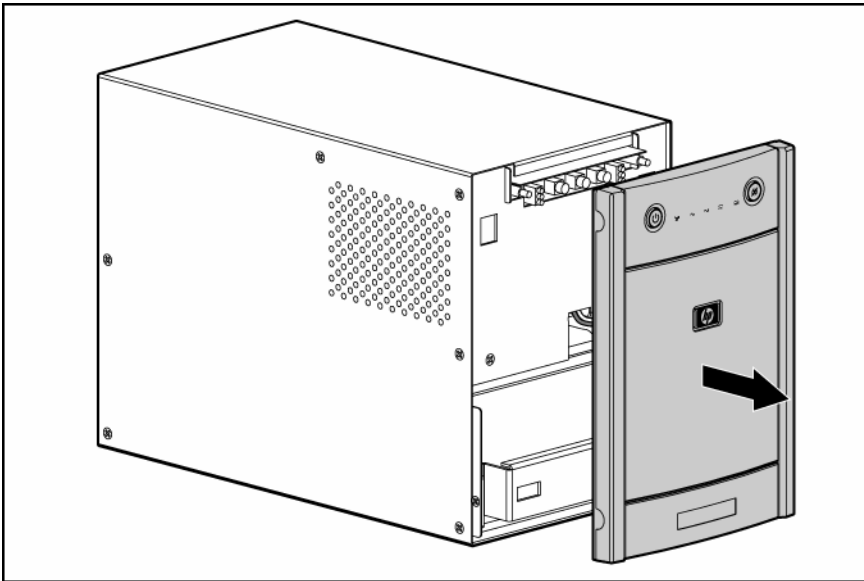
40°C



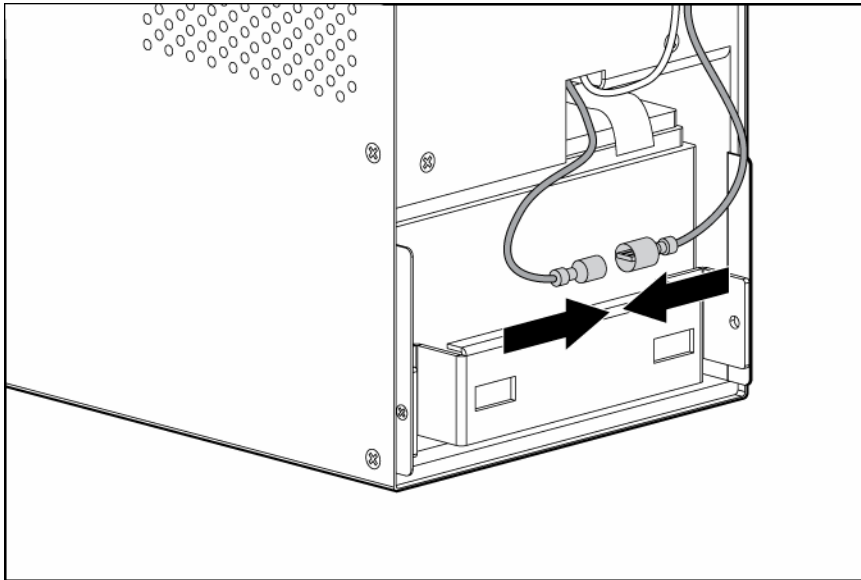
-
-
-



1. UPS



2.



3. UPS

UPS



100V

100V

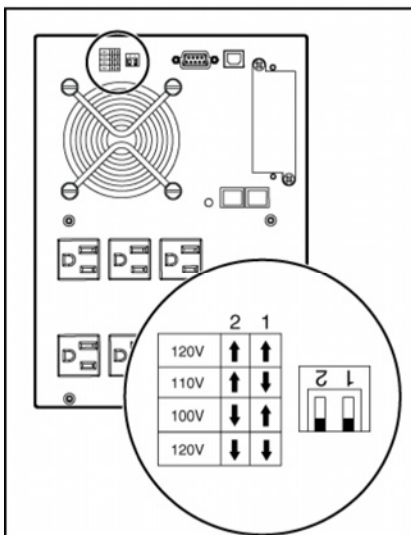
DIP

UPS

DIP



DIP





*

			DIP 2	DIP 1
T1000/1500	100V*	90 106V		
	110V	99 116V		
	120V	108 127V		



UPS



USB-

UPS

UPS USB DB9
 HP Power Manager 4.0
www.hp.com/jp/servers/ups_manage

UPS
 HP Web [http://](http://www.hp.com/jp/servers/ups_manage)
 HP Power Manager

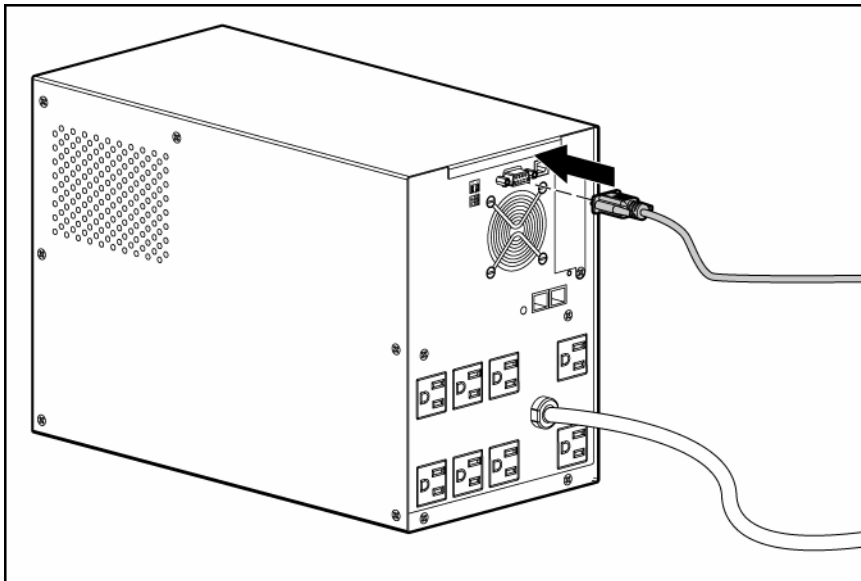


HP Web http://www.hp.com/jp/servers/ups_manage



USB-

UPS

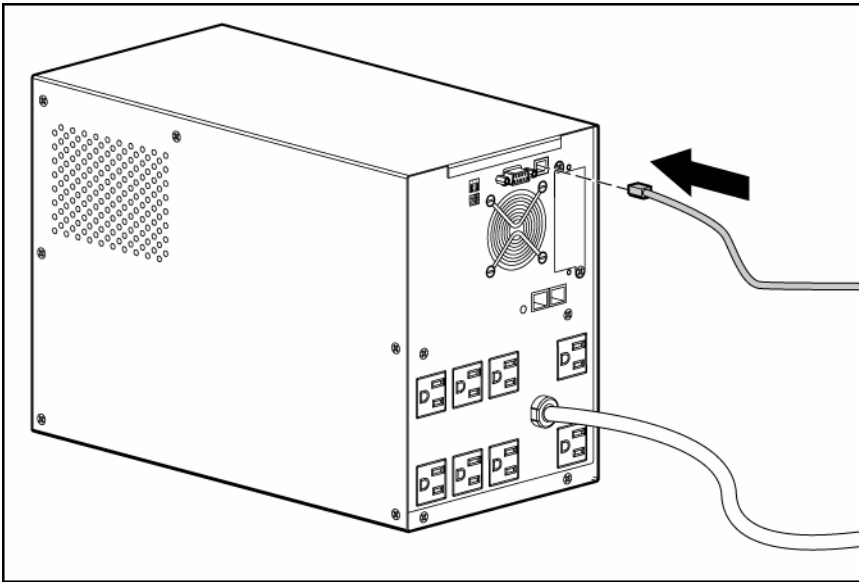


USB



USB-

UPS



PBX

1.

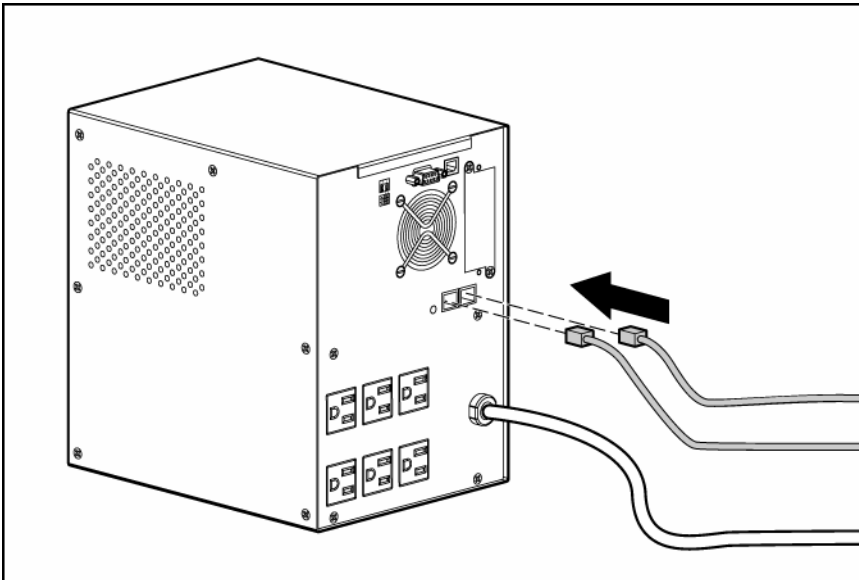
UPS

IN

2.

UPS

OUT



UPS



1. UPS

UPS

18

HP Power Manager

UPS



UPS
UPS

UPS

UPS

UPS

UPS

UPS

UPS



24

- 4
- 24

90%
100%

UPS

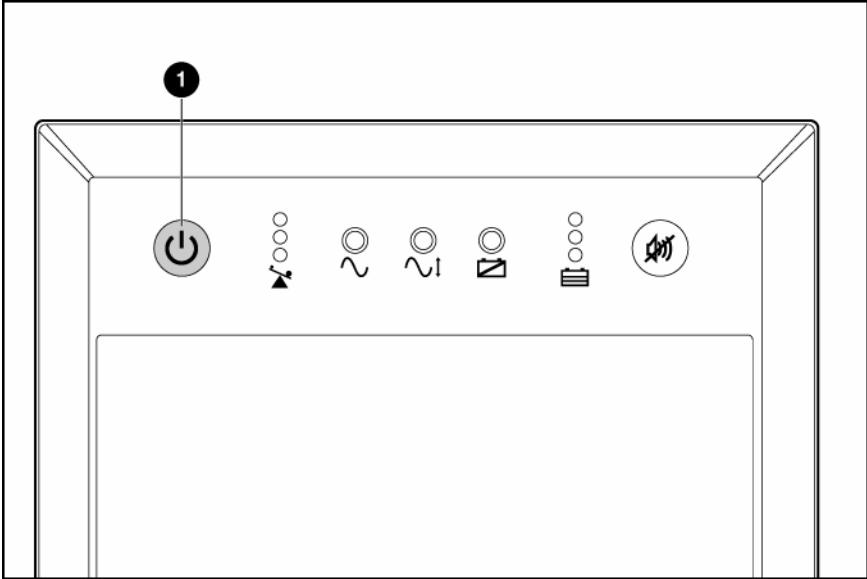
UPS

Power On/Standby

1

LED

UPS



UPS

UPS 16

UPS 16

UPS 16



	UPS		
	UPS	- 4	
		-	
		-	
	UPS	-	

UPS

- 1.
2. Power On/Standby
3. UPS

HP Power Manager

HP Power Manager

UPS

HP Power Manager

HP Web

http://www.hp.com/jp/servers/ups_manage



HP Web

http://www.hp.com/jp/servers/ups_manage

HP Power Manager

-

UPS

-

-

-

-

UPS

/

-

UPS

-

UPS	19
	19
	23

UPS



USB-
UPS

HP Web

UPS
http://www.hp.com/jp/servers/ups_manage

1. 19
2. UPS 20



-
-
-
-
- **60°C**



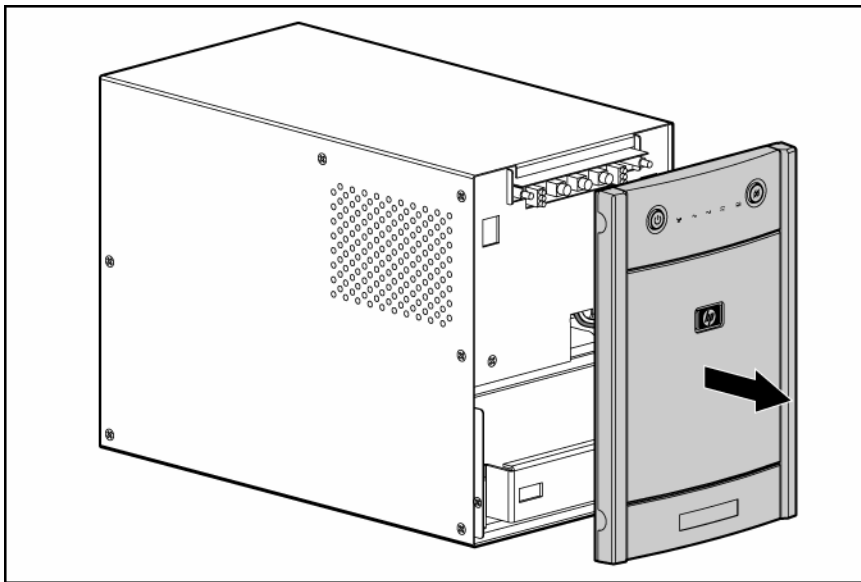
-
-
-



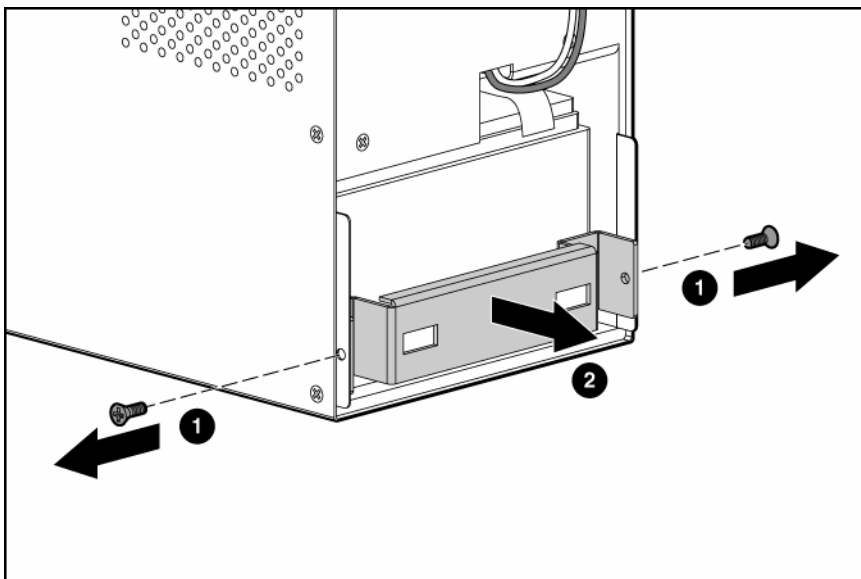
- UPS 11 UPS UPS
- UPS UPS
- 25
- UPS 14 UPS

UPS

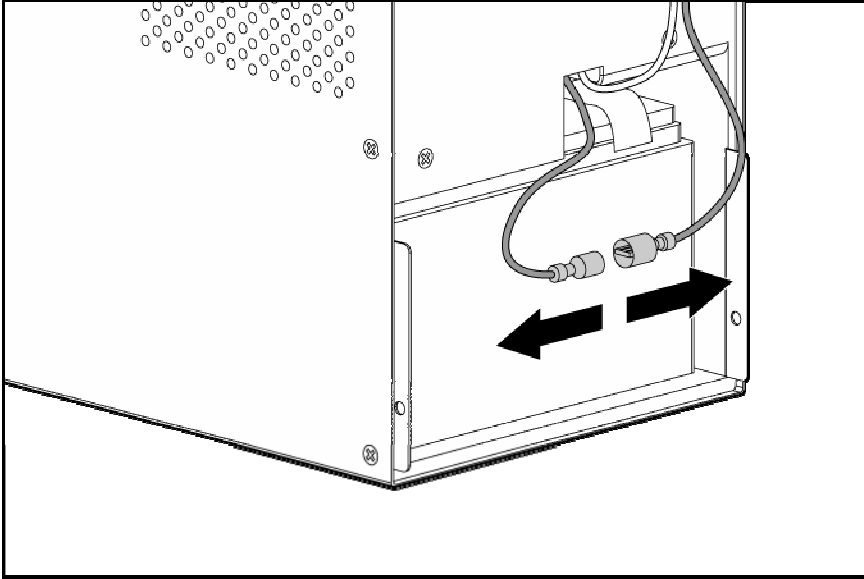
1. UPS UPS UPS 16
2. UPS



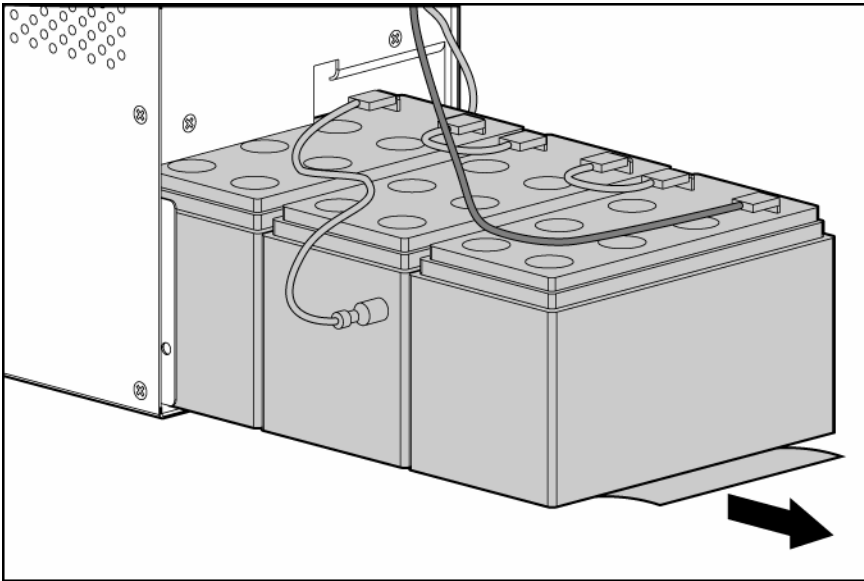
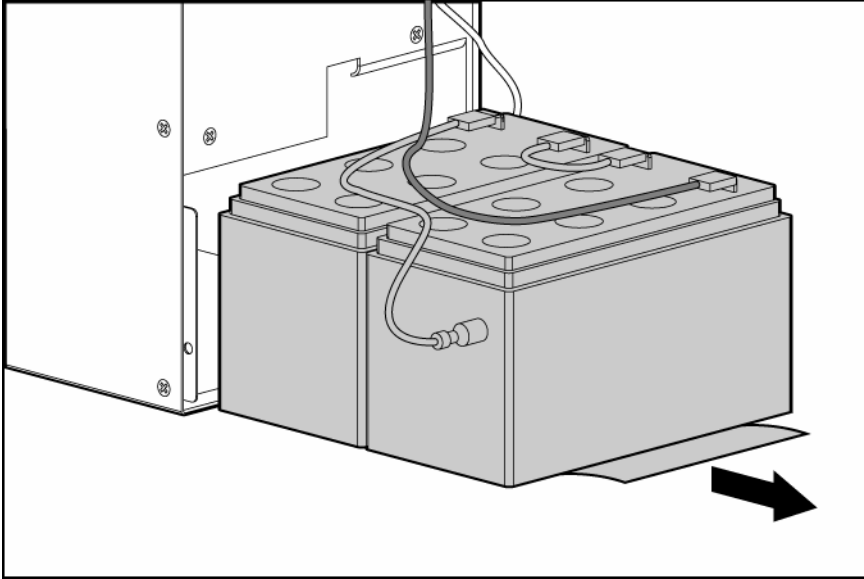
3.



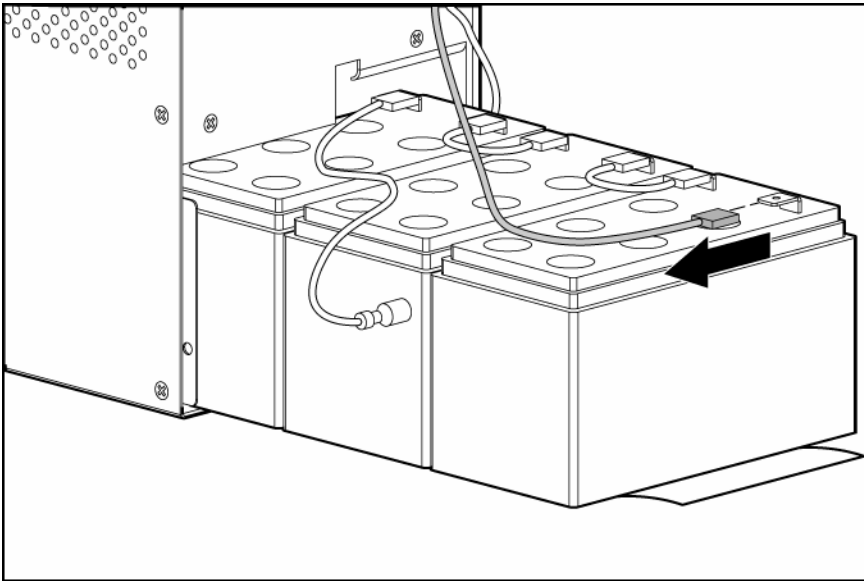
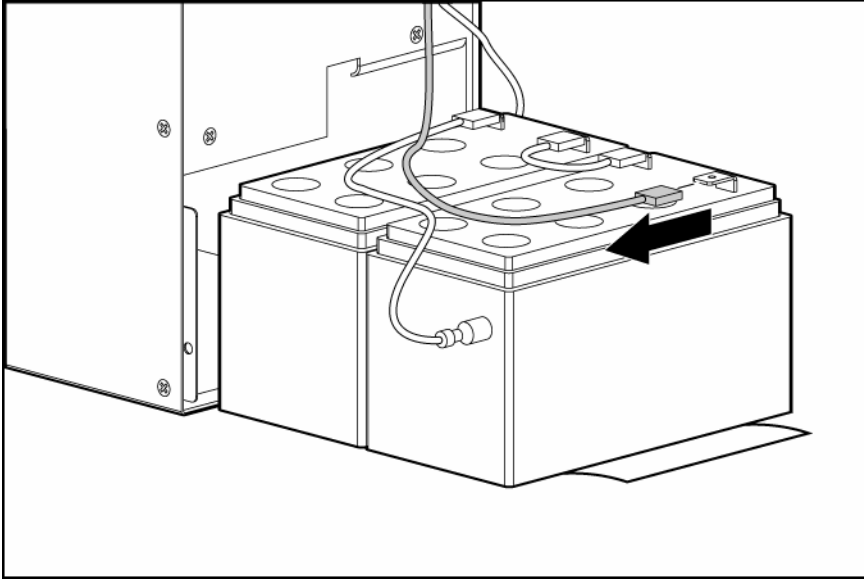
4.



5.



6.



24

- 4 90%
- 24 100%



1.

2.

3.

4.

1

450g

1

4

5.

6.



UPS	25
UPS	25
UPS	25
UPS	26
UPS	26
UPS	26
LED	26
LED	26
LED	27
LED	27
LED	27
LED	27

UPS

- 1.
- 2.
3. UPS 24

1. LED
- 2.

UPS

- 1.
2. UPS
3. 1
4. UPS UPS 11

- 1. UPS 11 UPS
- 2. UPS

UPS

- 1. LED 1
- 2. UPS 16 UPS
- 3.
- 4. UPS 24
- 5. 16
- 6. UPS UPS

UPS

UPS AC AC

LED

- a. LED UPS 16 UPS
- b. UPS 15 UPS
- c. UPS 24
- a. LED UPS 16 LED
- b. UPS 15 UPS
- c. UPS 24

LED

UPS AC AC

LED

- 1. 1
- 2. 16
- 3.

LED

LED

- a. UPS 16 UPS
- b. UPS 15 UPS
- c. UPS 24

LED

- a. LED
- b. 16

LED

- 1. UPS 24
- 2. 16

LED

-
- UPS
-

T1000	28
T1500	28
UPS	28
T1000	29
T1500	29
T1000	29
T1500	29
	29
	30
	30
	30
	30
	30

T1000

	26.2cm
	33.8cm
	17.0cm
	15.9kg

T1500

	26.2cm
	33.8cm
	17.0cm
	20.3kg

UPS



*

UPS	Hz	VAC	A	
T1000/1500	60/50	100 110 120*	15	NEMA 5-15

T1000

UPS		
T1000	8xNEMA 5-15	8.3A

T1500

UPS		
T1500	8xNEMA 5-15	12.5A

T1000

UPS	VA	W	
T1000	1000	650	100 110 120

T1500

UPS	VA	W	
T1500	1500	900	100 110 120

VAC	VAC
100	100
110	110
120	120

	-10% +6% Computer Business Equipment Manufacturers Association
	± 5%

	94%
	PFC 5% THD 15 20% THD
	6500A
	/ MOV

	12V 9AH
	4 24 90%

%	W	100%
20	100	45
50	250	15
80	400	6
100	500	4

	0 40°C
	-15°C 50°C
	0 95%
	2,000m
	15,000m
	53dBA

UPS T1000	31
UPS T1500	31
	31

UPS T1000

UPS	410034-291

UPS T1500

UPS	410037-291
	416556-001

HP Web http://www.hp.com/jp/servers/ups_manage

UPS

3

1

UPS

UPS

3

30

LED

-
-

	33	
	33	
	33	
	36	
VCCI	VCCI	B
VCCI	VCCI	A

Federal Communications Commission notice

Part 15 of the Federal Communications Commission (FCC) Rules and Regulations has established Radio Frequency (RF) emission limits to provide an interference-free radio frequency spectrum. Many electronic devices, including computers, generate RF energy incidental to their intended function and are, therefore, covered by these rules. These rules place computers and related peripheral devices into two classes, A and B, depending upon their intended installation. Class A devices are those that may reasonably be expected to be installed in a business or commercial environment. Class B devices are those that may reasonably be expected to be installed in a residential environment (for example, personal computers). The FCC requires devices in both classes to bear a label indicating the interference potential of the device as well as additional operating instructions for the user.

FCC rating label

The FCC rating label on the device shows the classification (A or B) of the equipment. Class B devices have an FCC logo or ID on the label. Class A devices do not have an FCC logo or ID on the label. After you determine the class of the device, refer to the corresponding statement.

Class A equipment

This equipment has been tested and found to comply with the limits for a Class A digital device, pursuant to Part 15 of the FCC Rules. These limits are designed to provide reasonable protection against harmful interference when the equipment is operated in a commercial environment. This equipment generates, uses, and can radiate radio frequency energy and, if not installed and used in accordance with the instructions, may cause harmful interference to radio communications. Operation of this equipment in a residential area is likely to cause harmful interference, in which case the user will be required to correct the interference at personal expense.

Class B equipment

This equipment has been tested and found to comply with the limits for a Class B digital device, pursuant to Part 15 of the FCC Rules. These limits are designed to provide reasonable protection against harmful interference in a residential installation. This equipment generates, uses, and can radiate radio frequency energy and, if not installed and used in accordance with the instructions, may cause harmful interference to radio communications. However, there is no guarantee that interference will not occur in a particular installation. If this equipment does cause harmful interference to radio or television reception, which can be determined by turning the equipment off and on, the user is encouraged to try to correct the interference by one or more of the following measures:

- Reorient or relocate the receiving antenna.
- Increase the separation between the equipment and receiver.
- Connect the equipment into an outlet on a circuit that is different from that to which the receiver is connected.
- Consult the dealer or an experienced radio or television technician for help.

Declaration of conformity for products marked with the FCC logo, United States only

This device complies with Part 15 of the FCC Rules. Operation is subject to the following two conditions: (1) this device may not cause harmful interference, and (2) this device must accept any interference received, including interference that may cause undesired operation.

For questions regarding this product, contact us by mail or telephone:

- Hewlett-Packard Company
P. O. Box 692000, Mail Stop 530113
Houston, Texas 77269-2000
- 1-800-HP-INVENT (1-800-474-6836). (For continuous quality improvement, calls may be recorded or monitored.)

For questions regarding this FCC declaration, contact us by mail or telephone:

- Hewlett-Packard Company
P. O. Box 692000, Mail Stop 510101
Houston, Texas 77269-2000
- 1-281-514-3333

To identify this product, refer to the part, series, or model number found on the product.

Modifications

The FCC requires the user to be notified that any changes or modifications made to this device that are not expressly approved by Hewlett-Packard Company may void the user's authority to operate the equipment.

Cables

Connections to this device must be made with shielded cables with metallic RFI/EMI connector hoods in order to maintain compliance with FCC Rules and Regulations.

Canadian notice (Avis Canadien)

Class A equipment

This Class A digital apparatus meets all requirements of the Canadian Interference-Causing Equipment Regulations.

Cet appareil numérique de la classe A respecte toutes les exigences du Règlement sur le matériel brouilleur du Canada.

Class B equipment

This Class B digital apparatus meets all requirements of the Canadian Interference-Causing Equipment Regulations.

Cet appareil numérique de la classe B respecte toutes les exigences du Règlement sur le matériel brouilleur du Canada.

European Union regulatory notice

This product complies with the following EU Directives:

- Low Voltage Directive 73/23/EEC
- EMC Directive 89/336/EEC

Compliance with these directives implies conformity to applicable harmonized European standards (European Norms) which are listed on the EU Declaration of Conformity issued by Hewlett-Packard for this product or product family.

This compliance is indicated by the following conformity marking placed on the product:



This marking is valid for non-Telecom products and EU harmonized Telecom products (e.g. Bluetooth).



This marking is valid for EU non-harmonized Telecom products.

*Notified body number (used only if applicable-refer to the product label)

Disposal of waste equipment by users in private households in the European Union



This symbol on the product or on its packaging indicates that this product must not be disposed of with your other household waste. Instead, it is your responsibility to dispose of your waste equipment by handing it over to a designated collection point for the recycling of waste electrical and electronic equipment. The separate collection and recycling of your waste equipment at the time of disposal will help to conserve natural resources and ensure that it is recycled in a manner that protects human health and the environment. For more information about where you can drop off your waste equipment for recycling, please contact your local city office, your household waste disposal service or the shop where you purchased the product.

BSMI notice

警告使用者:

這是甲類的資訊產品，在居住的環境中使用時，可能會造成射頻干擾，在這種情況下，使用者會被要求採取某些適當的對策。

Korean notice

Class A equipment

A급 기기 (업무용 정보통신기기)

이 기기는 업무용으로 전자파적합등록을 한 기기이오니 판매자 또는 사용자는 이 점을 주의하시기 바라며, 만약 잘못판매 또는 구입하였을 때에는 가정용으로 교환하시기 바랍니다.

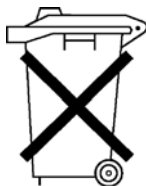
Class B equipment

B급 기기 (가정용 정보통신기기)

이 기기는 가정용으로 전자파적합등록을 한 기기로서 주거지역에서는 물론 모든지역에서 사용할 수 있습니다.



-
- **60°C**
-



HP

HP

-
-
-
-
-

1

1M ± 10%

-
-
-
-

HP

HP

HP

HP

IEC

International Electrotechnical Commission

LED

light-emitting diode

NEC

National Electrical Code

NEMA

National Electrical Manufacturers Association

PFC

power factor corrected

UPS

uninterruptible power system

USB

universal serial bus

Canadian notice Avis Canadien 35

T1000 7
T1500 8

BSMI notice 36

Cables 35
Class A equipment 34
Class B equipment 34

UPS 16
14
9 25
UPS
UPS

DIP 7 8
11

19
USB 13

European Union regulatory notice 35

37
16
16
25
19

FCC rating label 34
Federal Communications Commission notice 33

30

HP Power Manager 18

Korean notice 36

30
30

LED 5 6
16
6

33
33
26

Modifications 34

Power On/Standby 6

19 20
31
31

19
5
13
LED 8
8
27
31
14
UPS 28
30
29
LED 30
6
27
28
14
12
6
6
37
10
UPS 11
11
UPS 16
14
18
9

12
LED 16
29
11
LED
26
LED 6
9
LED 6
26
18
16
15
28 29
9
25
28
31
26
23
30
19 20
14
30
10
32
LED 19
6
27
LED 7
27
10
36
11

19
28
5
LED 6
6 5
6

10
5

19
32
12
5
/
26 7

19

7